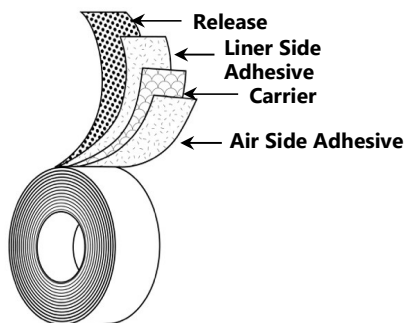


2804B

Double-Coated Tape



Liner: 60lb bleached kraft, silicone release treated on both sides

Liner Side Adhesive: Rubber (I903)

Backing/Carrier: 0.5 mil Polyester Film

Air Side Adhesive: Rubber (I903)

Applications

- Bonding and assembly applications for foams and plastics
- Mounting nameplates, decals, and decorative pieces

Features

- PET Film Carrier
- Rubber Adhesive
- 60lb Release Liner

Benefits

- Support for aid in processing and application
- Conformable
- Medium peel and shear with high tack performance
- Good adhesion to PE foams and low surface energy materials
- Die-cuttable

Typical Test Values

	Standard UOM	Metric UOM	Test Method
Total Thickness w/liner	6.4 mils	0.163 mm	PSTC 133
Adhesive Thickness (Air Side)	1.2 mils	0.030 mm	PSTC 133
Adhesive Thickness (Liner Side)	1.2 mils	0.030 mm	PSTC 133
Carrier Thickness	0.5 mils	0.013 mm	PSTC 133
Liner Thickness	3.5 mils	0.089 mm	PSTC 133
Adhesion to Steel (Air Side)	64 oz/in	7.00 N/cm	PSTC 101 Mod
Adhesion to Steel (Liner Side)	64 oz/in	7.00 N/cm	PSTC 101 Mod
Shear Strength (Air Side)	>24 hours		PSTC 107
Shear Strength (Liner Side)	>24 hours		PSTC 107
Application Temperature	40 to 150 °F	4 to 65 °C	
Laminating Temperature	68 to 225 °F	20 to 107 °C	
Maximum Continuous Use	160 °F	71 °C	
Intermittent Use	180 °F	82 °C	

Recommended Storage Conditions: 40-60% Humidity, 60°F-80°F

The information presented herein was prepared at BERRY GLOBAL, INC. by qualified technical personnel. To BERRY's knowledge it is true and accurate. However, the information and recommendations are furnished for these products with the understanding that the purchaser or user, as the case may be, will independently determine that the product is suitable for the intended use, and that such use complies with all applicable federal, state and local laws and regulations. The data are submitted only for the user's information and consideration, and do not constitute a warranty of any kind (including but not limited to a warranty of merchantability or of fitness for a particular purpose), or a representation for which BERRY assumes any legal responsibility.